

**LEGEND:**

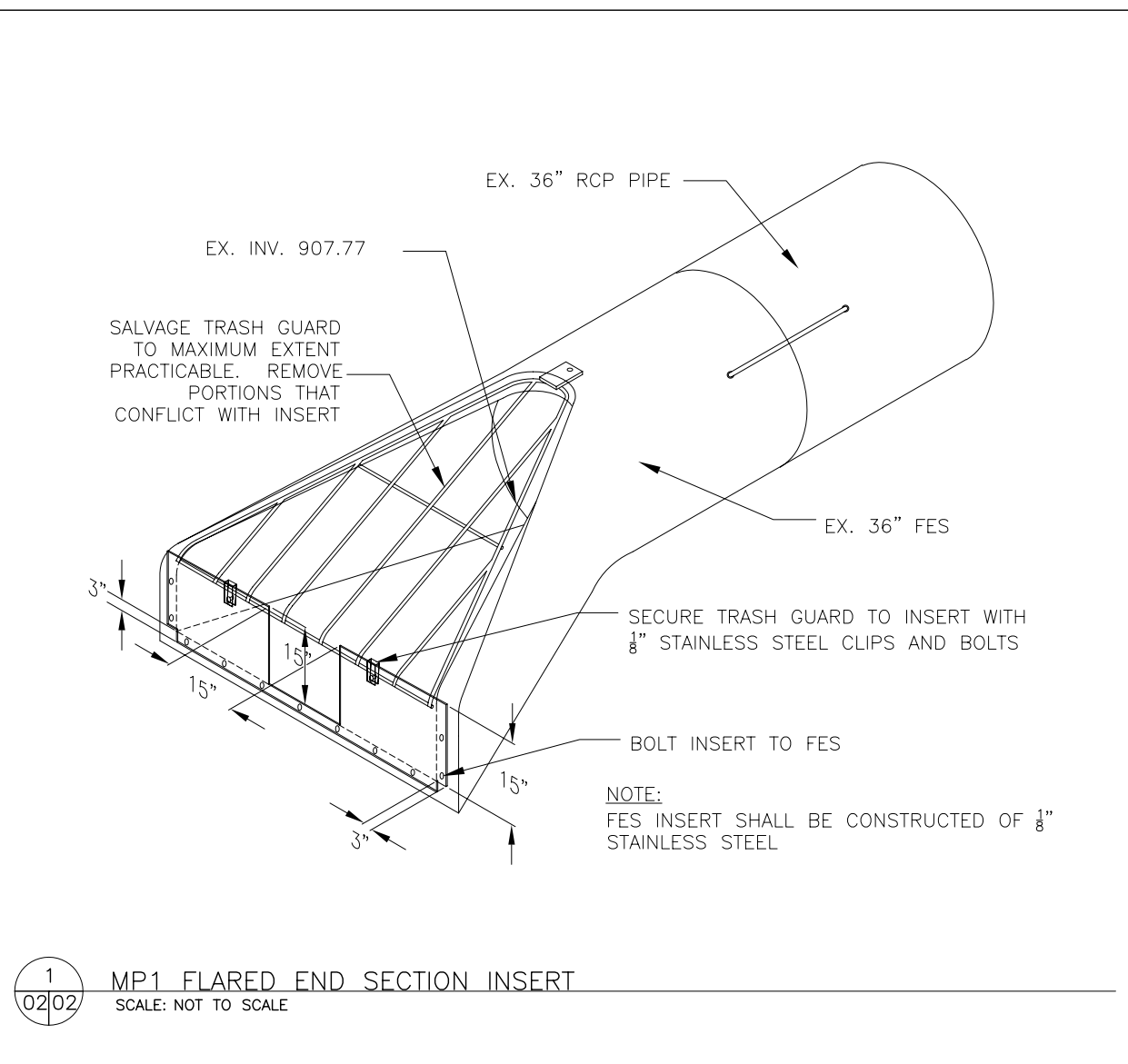
- >> — EXISTING STORM SEWER
- - - 911 - - - EXISTING CONTOUR
- 910 — PROPOSED CONTOUR
- 910.50 + PROPOSED SPOT ELEVATION

SCALE 1" = 30'

GRAPHIC SCALE

30 0 30 60 90 FEET

W N E  
S



1  
0202 MP1 FLARED END SECTION INSERT  
SCALE: NOT TO SCALE

BY		DATE	
REVISION DESCRIPTION			
NO.			
I, hereby certify that this plan was prepared by me or under my direct supervision and that I am a duly Licensed Professional Engineer under the laws of the State of Minnesota.			
Print Name:	SHEILA SAHU		
Sign Name:	SHEILA SAHU		
Date:	1/25/07		
Designed By:	SS/JRP		
Drawn By:	SS/JRP		
<p><b>EMMONS &amp; OLIVER RESOURCES</b>          651 HALE AVENUE NORTH          OAKDALE, MN 55128          PHONE: (651) 770-8448          FAX: (651) 770-2552          WEBSITE: www.eorinc.com</p>			
<p><b>FOR</b></p>			
<p>NORTH MARKETPLACE WQ IMPROVEMENTS          STILLWATER, MN</p>			
<p>WILDWOOD PINES POND (MP1) IMPROVEMENT PLAN</p>			
Sheet No.	02	of	02
Sheets			